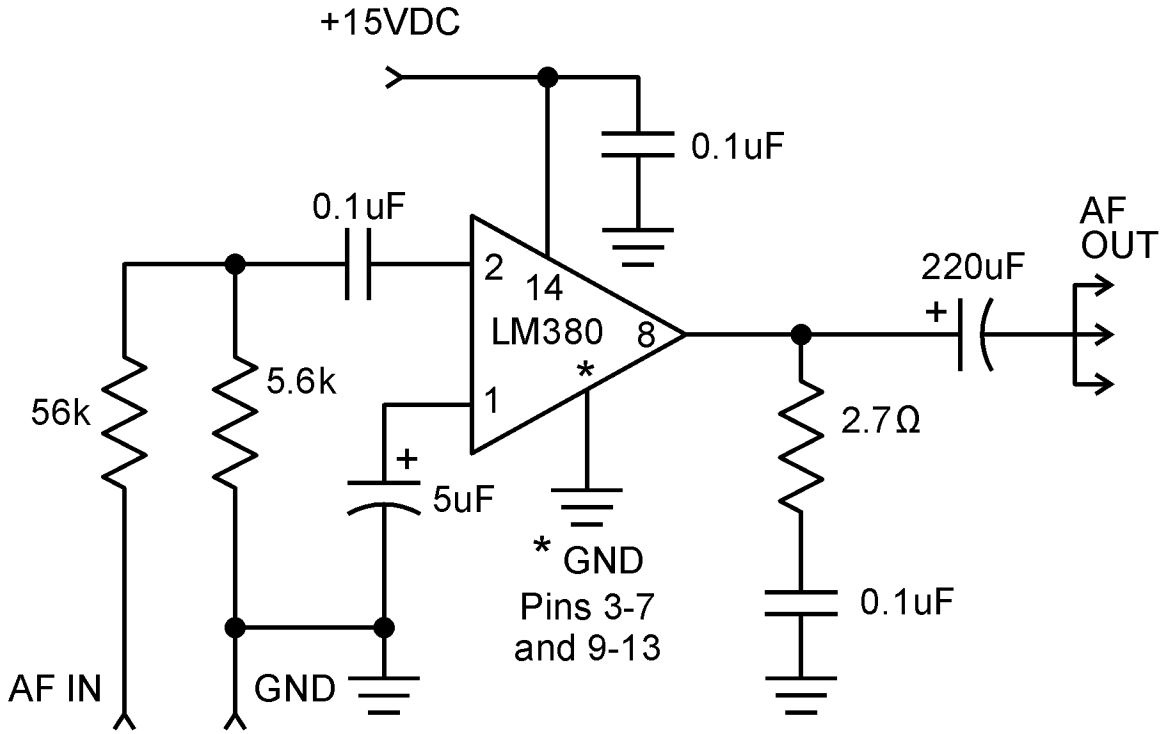
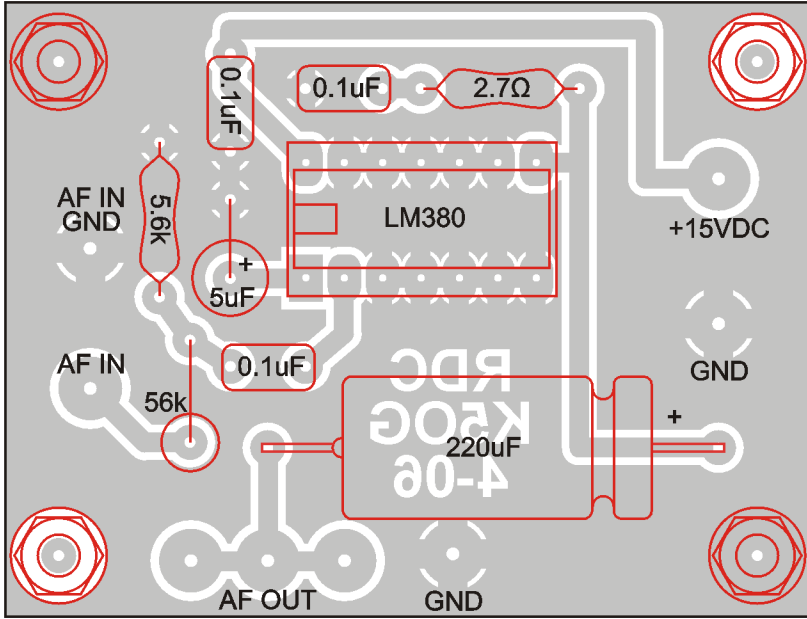
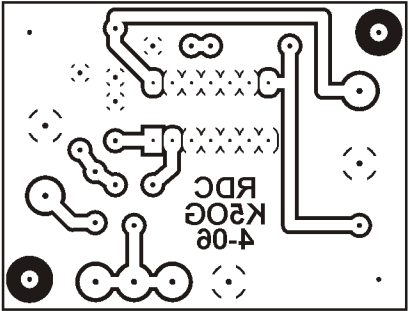


LM380 AF AMP for CX-7 (or other uses)





PCB as viewed from the COMPONENT SIDE



PCB Size: 2.1" x 1.6"